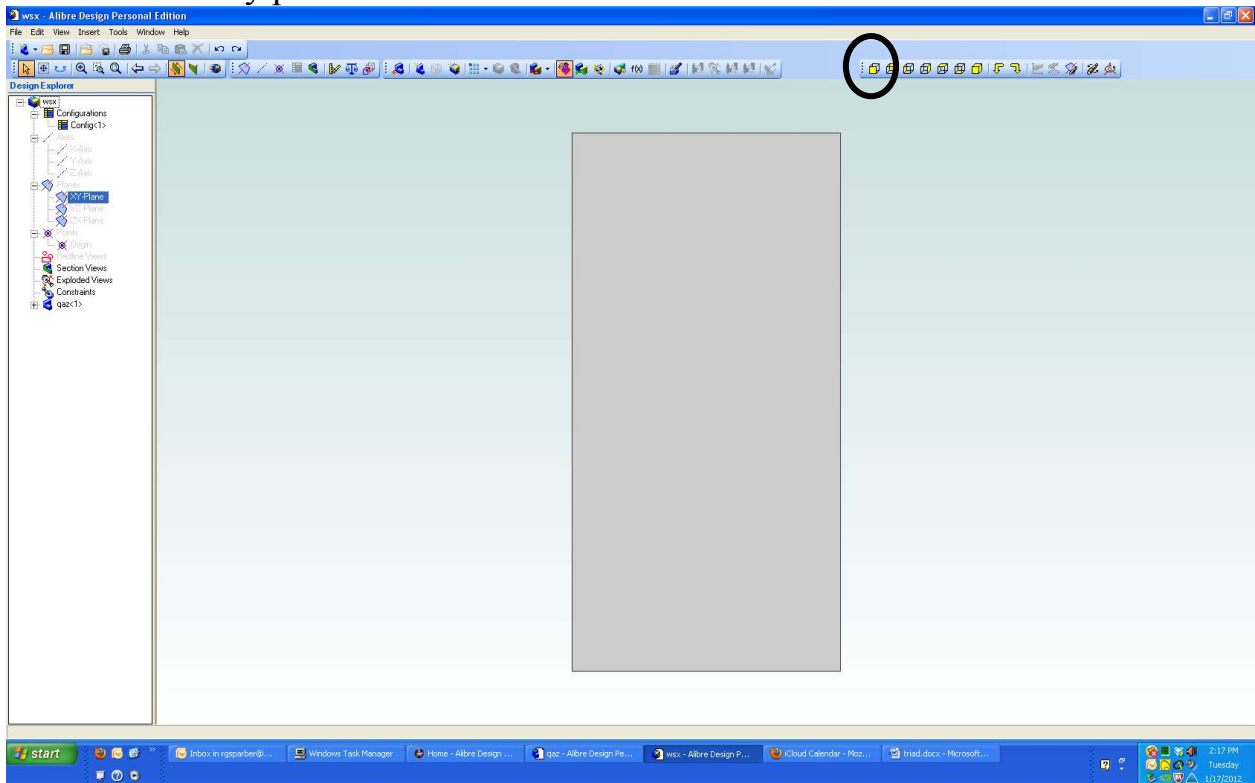
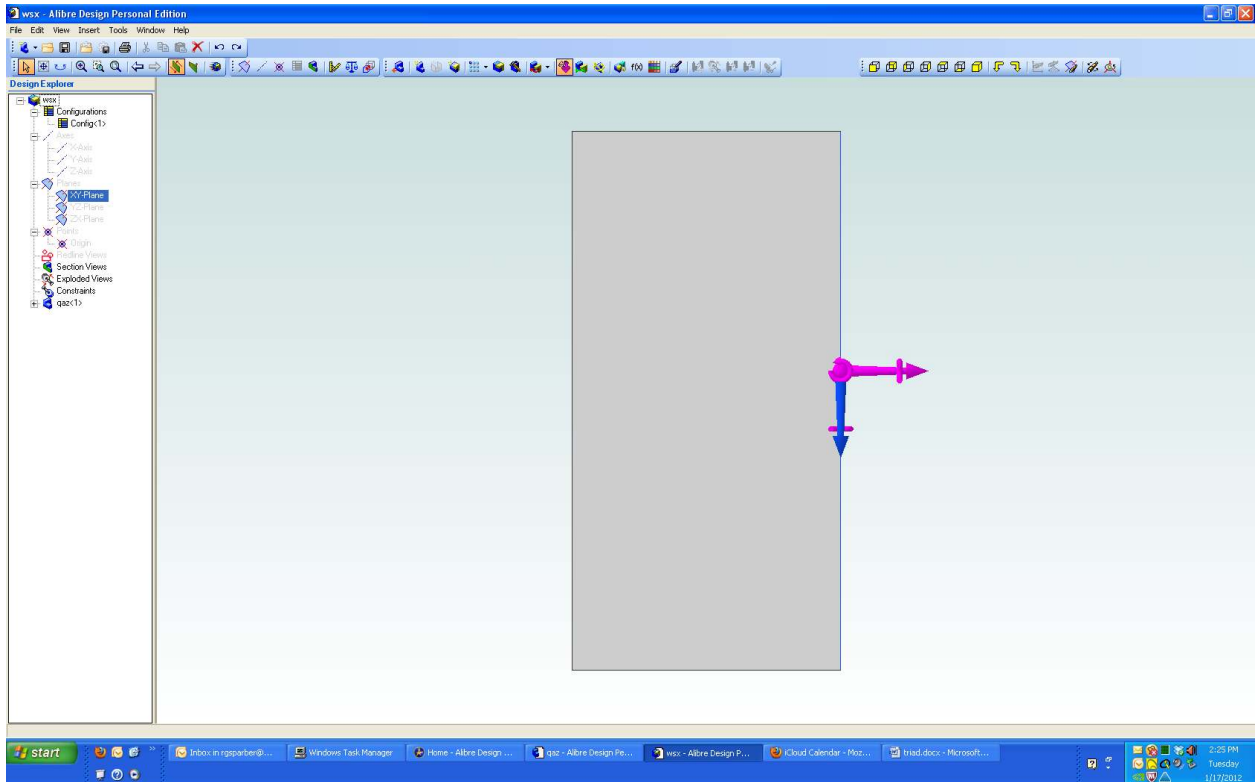


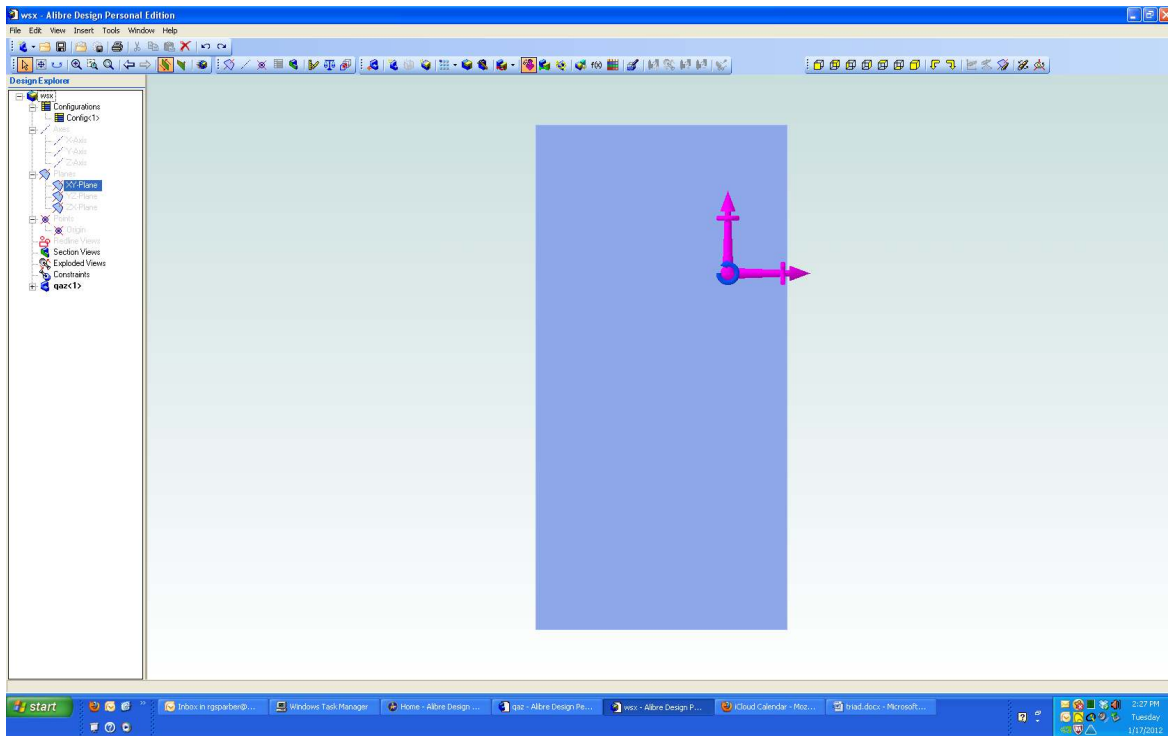
In order to demonstrate the Triad tool, I have created a 1-2-3 block and brought it into the assembly part of Alibre.



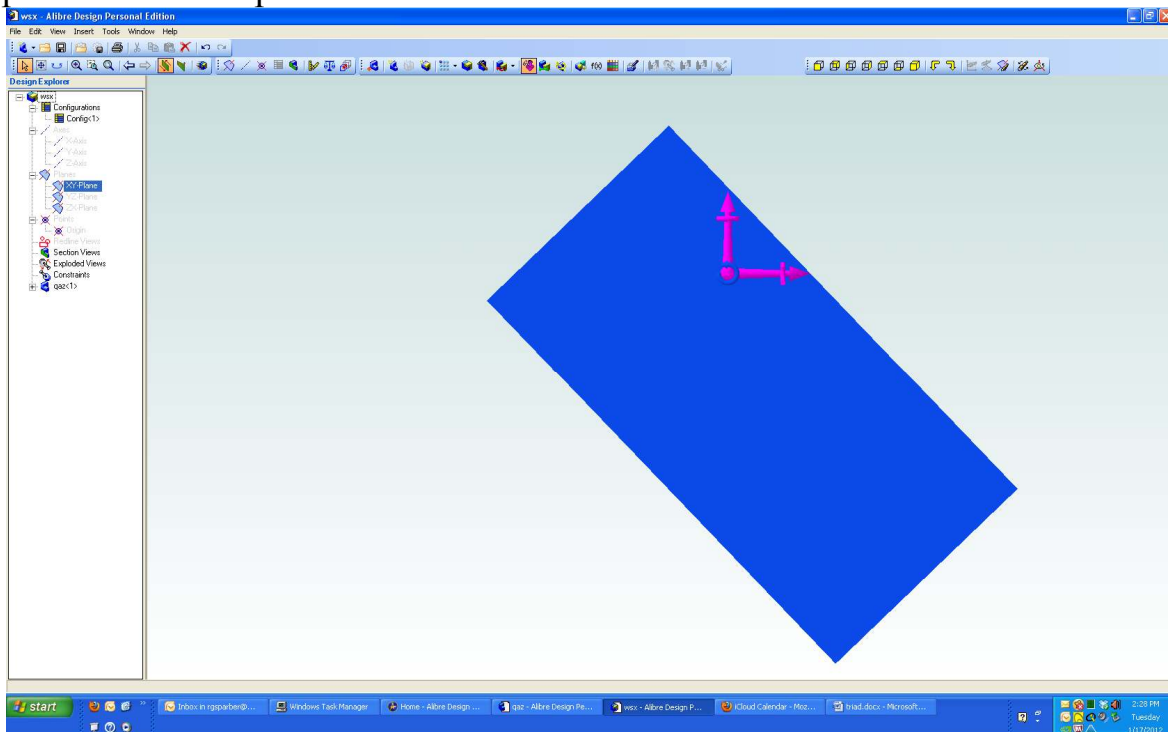
By clicking the front face icon (circled), I have aligned the front face with my view plane.



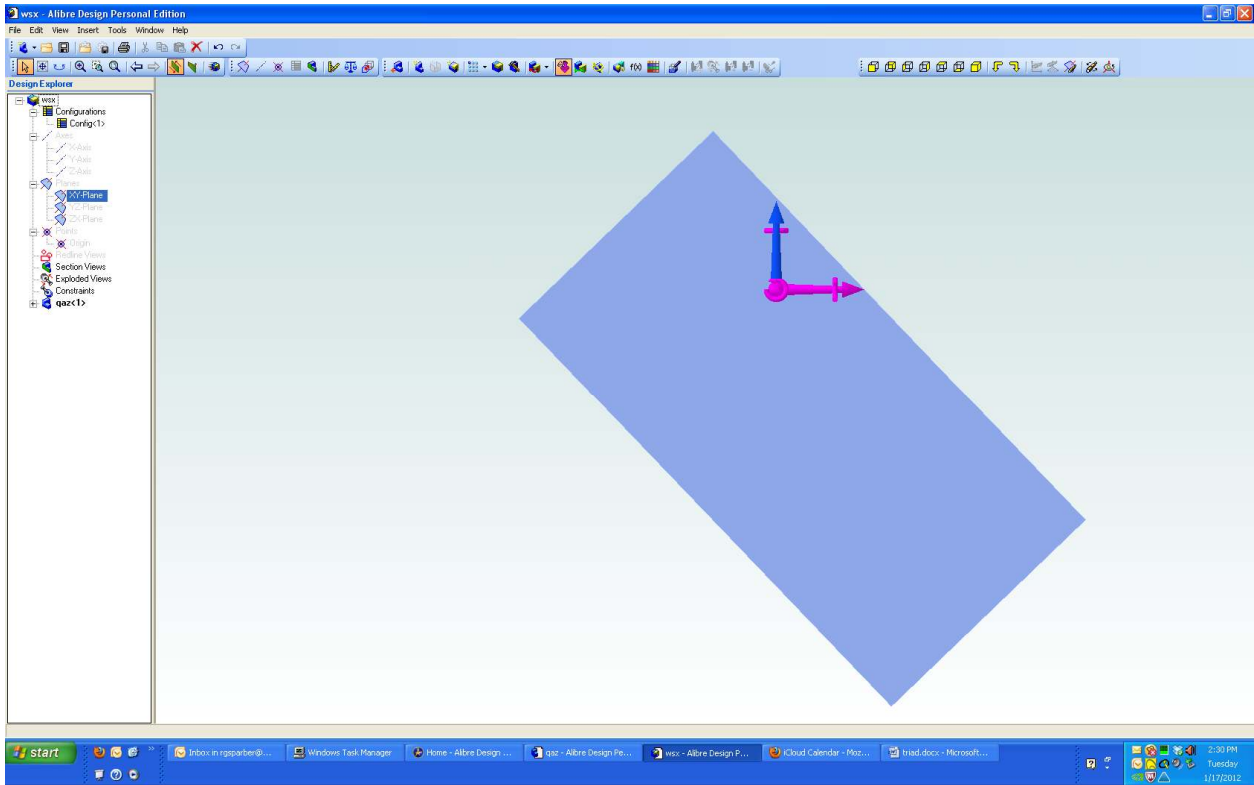
By clicking on the right edge of the block, my triad appears. It consists of three perpendicular arrows with a circular arrow around each one. I did not have to click on an edge; it could have been the face. The key thing to understand is that wherever you click, that is where the center of the Triad will appear. To remove the Triad, click off of the part.



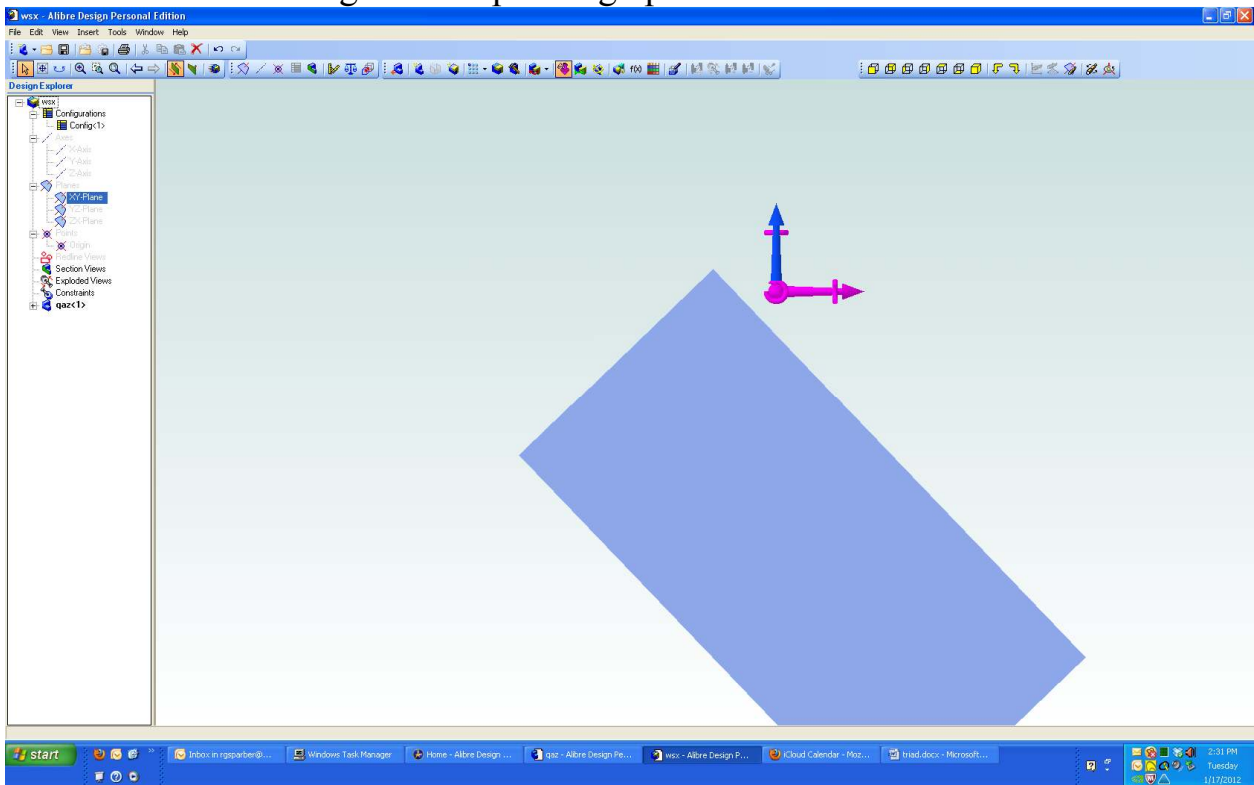
Here I have clicked on the circular arrow wrapped around the straight arrow that points out of the plane.



When I left click on the block, it will pivot around my Triad's central point. Note that this is not the same as rotating the part in the single part creation section of Alibre where you hold down the left and right mouse buttons to rotate the part in 3D.



I have clicked the straight arrow pointing up.



I can now slide the block vertically.

I welcome your comments and questions.

Rick Sparber

Rgsparber@aol.com

Rick.Sparber.org

