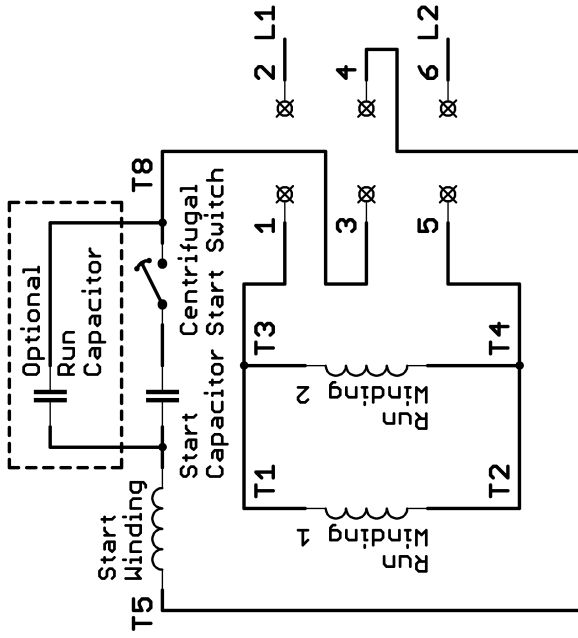
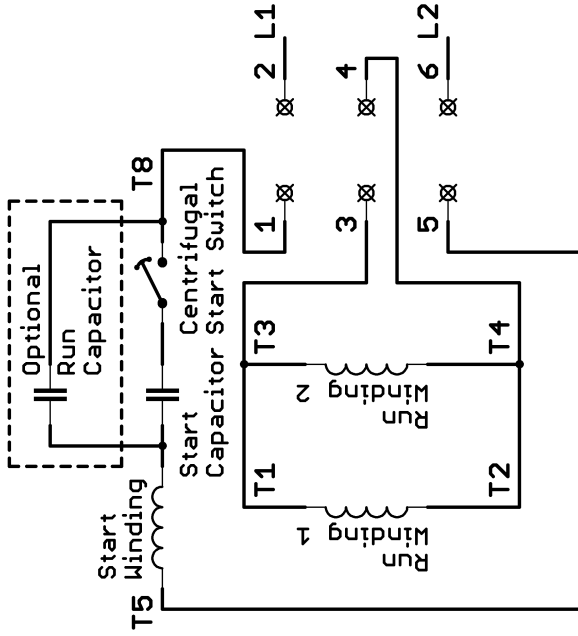


Single Phase - 6 Wire Motor Reversing Drum Switch Wiring Diagram

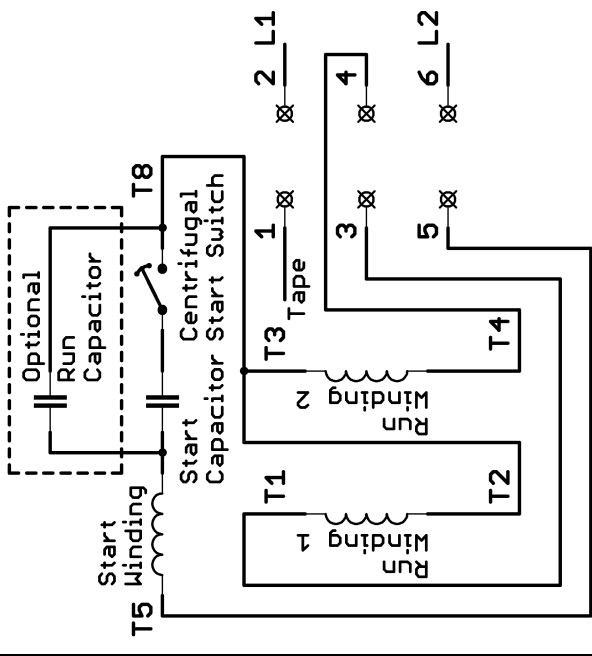
120V - Opt 1



120V - Opt 2

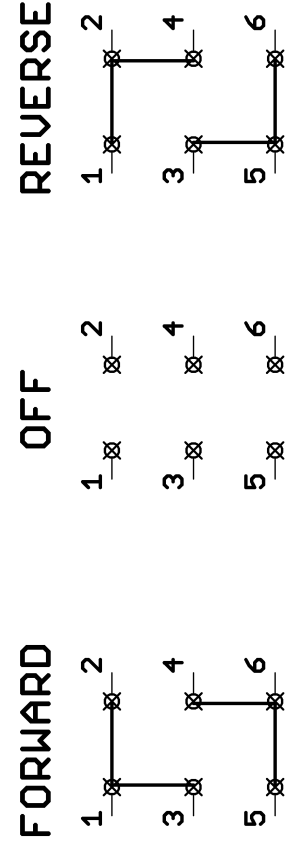


240V



Drum Switch FOR Logic

(Verify that your switch uses the same logic)



Circuit Breaker Style 1



Circuit Breaker Style 2



120V - Connect P2 to T3
 240V - No Connection - Tape